



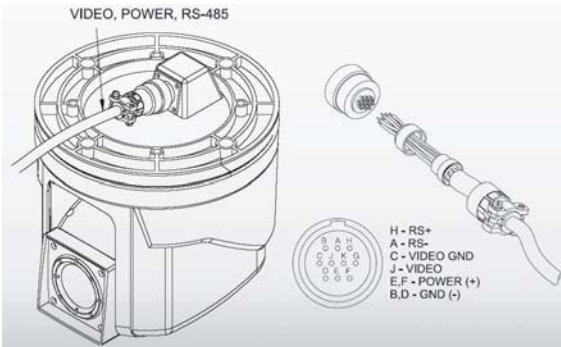
SPECIFICATIONS

MODEL	EYE3-271MN	EYE3-271MP
Signal format	NTSC,525Lines	PAL, 525Lines
Image Sensor	¼ inch Sony Super HAD CCD	
Image Pixels	410K	470K
Horizontal Resolution	480 TV Lines	
Minimum Illumination	0.01 Lux (Digital Slow Shutter up), True Day/Night 0.003 Lux (Night mode), 1.0 Lux (30IRE)	
Lens	Zoom Rate 27xAF(27~250x : 10x Digital Zoom) Focal length f=3.25~88mm Min. Object Distance:30cm	
S/N ratio	More than 49dB (AGC off)	
Pan	Angle	0 ~ 360° (Endless)
	Manual Speed	More than 100°/sec(Zoom proportional)
	preset Speed	More than 120°/sec(Zoom proportional)
Tilt	Angle	-45° to 60°
	Manual Speed	More than 60°/sec(Zoom proportional)
On-Screen Display	Camera ID, Camera name, area name and preset number	
Auto swing	MAX.8 Pan Swing (2 position swing)	
Group	Max. 8 groups	
Guard Tour	8 guard tours, consisting of 127 presets and functions	
ID(Camera Address)	0 ~ 255 address	
Control	RS-485/RS-232C, baud rate : 2400 / 9600bps	
Power	AC 24V 50/60Hz 1.5A DC 12V 2A	
Operating Temperature	Outdoor: -40°C to 55°C	
Humidity	0 to 90% RH (non-condensing)	
Dimensions/Weight	190(O) x 151(H)mm /4kg	
Certification	CE, FCC	

- Construction: Die-case Aluminum & "O" - Ring sealed, All innternal parts are corrosion protected epoxy powder costing.

FEATURES

- Fire, police, and other special applications
- Built-in 27x Optical zoom lens & Endless PanTilt Driver
- 0.003 lx extreme low light with 27xDay & Night function
- Aluminum body & resistance lens cover
- Max. 110°/sec Pan Speed
- 8 tours and auto flip
- 63 Preset Positions and Auto Swing Function
- Outdoor application (Fan & Heater)
- Supports multiple protocols (mm)



Optional Keyboard (033-068-016)